

# ABF110DH G6 SERIES

## DC Ventilation Fan with Internal Humidity Sensor



**Description:**  
 Ultra quiet, DC Bathroom Fan with adjustable speed control (50/80/110CFM) and internal user adjustable humidity sensor. Suitable for new construction or remodeling. Fan shall be ENERGY STAR qualified and HVI certified. ETL/cETL listed for use in insulated ceilings.(Typel.C.).

**Grille:**  
 Low maintenance, attaches to housing with torsion springs. Round on square design.

**Finishes:** White (W), Satin Nickel (SN), Satin Gold (SG), Oil Rubbed Bronze (OR), Farmhouse Black (FHB).

**Ventilating Area:**  
 For bathrooms up to 110 square feet.

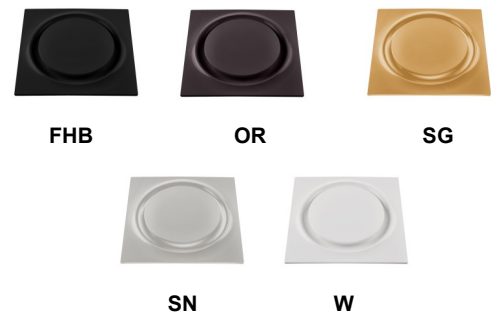
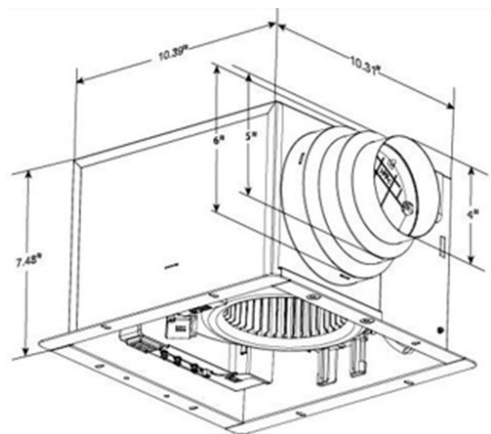
**Humidity Sensor:**  
 Adjustable from 50% - 100% relative humidity. Responds to humidity level above a preset point.

**Warranty:**  
 6 Years when installed by licensed professional.

**Architectural Specifications:**  
 Ventilation fan will be ceiling mount, ENERGY STAR qualified, adjustable speed (50/80/110CFM), with no less than 110CFM and no more than 1.0 sones as certified by HVI. Power consumption shall be no greater than 16.0 watts and ENERGY STAR rated with an efficiency rating of no less than 7.0 CFM/watt. DC motor will be permanently lubricated, engineered for continuous operation. Fan will start when humidity level rises above user set point. Adjustable timer. Duct diameter will be 4", 5" or 6" round. Fan shall be listed for tub/shower enclosure when used with GFCI branch circuit wiring and shall be ETL/cETL listed for use in insulated ceilings (Type I.C.). Fan shall be ASHRAE 62.2, LEED, California Title 24 and Washington VIAQ compliant.

- Motor/Blower:**
- Brushless, high-performance DC Motor
  - Engineered for continuous operation.
  - Power rating shall be 120v/60Hz.
  - Fan shall be UL and cUL listed for tub/shower enclosure when GFCI protected.
  - Motor equipped with thermal shut-off.

- Housing:**
- Galvanized Steel Body
  - Duct connector adapts to 4", 5" and 6" ductwork.
  - Built-in damper
  - Articulating and expandable anti-vibration brackets included.
  - Designed for installation in ceilings with a minimum of 8" clearance.



Model: ABFDH Series	4" Duct	
Static Pressure (inches w.g.)	0.1	0.25
Air Volume (CFM)	112	95.6
Noise (Sones)	1.0	1.2
Power Consumption (Watts)	16	17.5
Energy Efficiency (CFM/Watts)	7	5.5
Speed (RPM)	1159	n/a
ENERGY STAR rated	YES	
Grille Dimensions	13" x 13"	



Model	Qty	Comments	Project
			Location
			Architect
			Engineer
			Contractor
			Submitted by:
			Date: